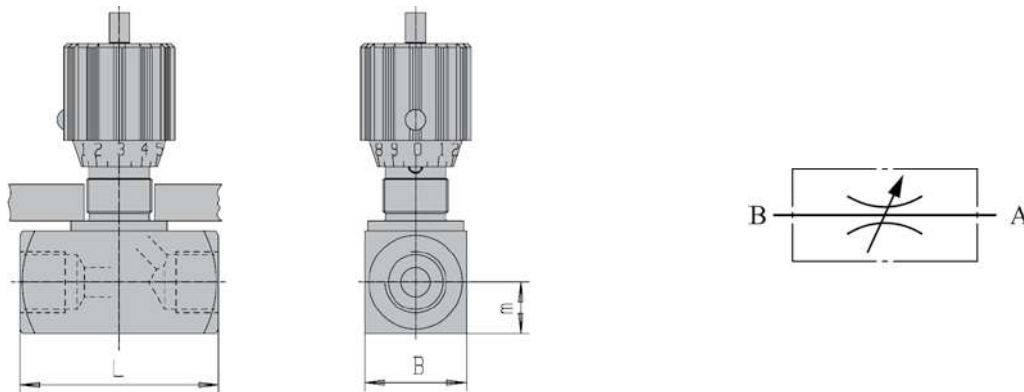


## Needle valves



NDV

### NDV with BSP

DN	Carbon steel		Material		Stainless Steel		Material		Data					
	Part No	ID Code	Body	Seals	Part No	ID Code	Body	Seals	W.P.	G	L	B	M	Weight
6	NDV 1/8 R	2603511000	1	A	NDV 1/8 R 316	2601511000	4	A	350	1/8" BSP	38	16	8	0,12
8	NDV 1/4 R	2603511100	1	A	NDV 1/4 R 316	2601511100	4	A	350	1/4" BSP	48	25	12,5	0,25
10	NDV 3/8 R	2603511200	1	A	NDV 3/8 R 316	2601511200	4	A	350	3/8" BSP	58	30	15	0,4
12	NDV 1/2 R	2603511300	1	A	NDV 1/2 R 316	2601511300	4	A	350	1/2" BSP	68	35	17,5	0,6
16	NDV 3/4 R	2603511400	1	A	NDV 3/4 R 316	2601511400	4	A	350	3/4" BSP	78	45	22,5	1,1
20	NDV 1 R	2603511500	1	A	NDV 1 R 316	2601511500	4	A	350	1" BSP	108	50	25	2,4
25	NDV 1 1/4 R	2603511600	1	A	NDV 1 1/4 R 316	2601511600	4	A	350	1 1/4" BSP	108	60	30	2,8
30	NDV 1 1/2 R	2603511700	1	A	NDV 1 1/2 R 316	2601511700	4	A	350	1 1/2" BSP	108	70	35	3,5
40	NDV 2 R	2603511800	1	A	NDV 2 R 316	2601511800	4	A	350	2" BSP	120	90	45	6,24

### NDV with NPT

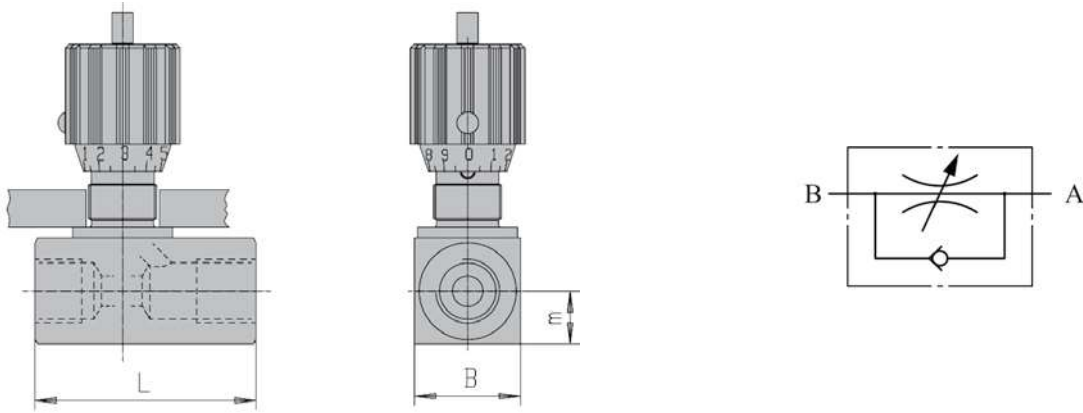
DN	Carbon steel		Material		Stainless Steel		Material		Data					
	Part No	ID Code	Body	Seals	Part No	ID Code	Body	Seals	W.P.	G	L	B	M	Weight
6	NDV 1/8 NPT	2603513000	1	A	NDV 1/8 NPT 316	2601513000	4	A	350	1/8" NPT	38	16	8	0,12
8	NDV 1/4 NPT	2603513100	1	A	NDV 1/4 NPT 316	2601513100	4	A	350	1/4" NPT	48	25	12,5	0,25
10	NDV 3/8 NPT	2603513200	1	A	NDV 3/8 NPT 316	2601513200	4	A	350	3/8" NPT	58	30	15	0,4
12	NDV 1/2 NPT	2603513300	1	A	NDV 1/2 NPT 316	2601513300	4	A	350	1/2" NPT	68	35	17,5	0,6
16	NDV 3/4 NPT	2603513400	1	A	NDV 3/4 NPT 316	2601513400	4	A	350	3/4" NPT	78	45	22,5	1,1
20	NDV 1 NPT	2603513500	1	A	NDV 1 NPT 316	2601513500	4	A	350	1" NPT	108	50	25	2,4
25	NDV 1 1/4 NPT	2603513600	1	A	NDV 1 1/4 NPT 316	2601513600	4	A	350	1 1/4" NPT	108	60	30	2,8
30	NDV 1 1/2 NPT	2603513700	1	A	NDV 1 1/2 NPT 316	2601513700	4	A	350	1 1/2" NPT	108	70	35	3,5
40	NDV 2 NPT	2603513800	1	A	NDV 2 NPT 316	2601513800	4	A	350	2" NPT	120	90	45	6,3

### NDV with UNF

DN	Carbon steel		Material		Stainless Steel		Material		Data					
	Part No	ID Code	Body	Seals	Part No	ID Code	Body	Seals	W.P.	G	L	B	M	Weight
8	NDV 7/16 UNF	2603512000	1	A	NDV 7/16 UNF 316	2601512000	4	A	350	1/4" UNF	48	25	12,5	0,28
10	NDV 9/16 UNF	2603512100	1	A	NDV 9/16 UNF 316	2601512100	4	A	350	3/8" UNF	58	30	15	0,42
12	NDV 3/4 UNF	2603512200	1	A	NDV 3/4 UNF 316	2601512200	4	A	350	1/2" UNF	68	35	17,5	0,69
16	NDV 1.1/16 UN	2603512300	1	A	NDV 1.1/16 UN 316	2601512300	4	A	350	3/4" UNF	78	45	22,5	1,14
20	NDV 1.5/16 UN	2603512400	1	A	NDV 1.5/16 UN 316	2601512400	4	A	350	1" UNF	108	50	25	2,19
25	NDV 1.5/8 UN	2603512500	1	A	NDV 1.5/8 UN 316	2601512500	4	A	350	1 1/4" UNF	108	60	30	2,89
30	NDV 1.7/8 UN	2603512600	1	A	NDV 1.7/8 UN 316	2601512600	4	A	350	1 1/2" UNF	108	70	35	3,7
40	NDV 2.1/2 UN	2603512700	1	A	NDV 2.1/2 UN 316	2601512700	4	A	350	2" UNF	120	90	45	6,3

Contact GS-Hydro for other material combinations.

## Needle valves



NDRV

### NDRV with BSP

DN	Carbon steel		Material		Stainless Steel		Material		Data					
	Part No	ID Code	Body	Seals	Part No	ID Code	Body	Seals	W.P.	G	L	B	M	Weight
6	NDRV 1/8 R	2603514000	1	A	NDRV 1/8 R 316	2601514000	4	A	350	1/8" BSP	45	16	8	0,1
8	NDRV 1/4 R	2603514100	1	A	NDRV 1/4 R 316	2601514100	4	A	350	1/4" BSP	55	25	12,5	0,3
10	NDRV 3/8 R	2603514200	1	A	NDRV 3/8 R 316	2601514200	4	A	350	3/8" BSP	65	30	15	0,45
12	NDRV 1/2 R	2603514300	1	A	NDRV 1/2 R 316	2601514300	4	A	350	1/2" BSP	73	35	17,5	0,7
16	NDRV 3/4 R	2603514400	1	A	NDRV 3/4 R 316	2601514400	4	A	350	3/4" BSP	88	45	22,5	1,26
20	NDRV 1 R	2603514500	1	A	NDRV 1 R 316	2601514500	4	A	350	1" BSP	127	50	25	2,6
25	NDRV 1 1/4 R	2603514600	1	A	NDRV 1 1/4 R 316	2601514600	4	A	350	1.1/4" BSP	143	60	30	3,7
30	NDRV 1 1/2 R	2603514700	1	A	NDRV 1 1/2 R 316	2601514700	4	A	350	1.1/2" BSP	143	70	35	4,76
40	NDRV 2 R	2603514800	1	A	NDRV 2 R 316	2601514800	4	A	350	2" BSP	165	90	45	8,52

### NDRV with NPT

DN	Carbon steel		Material		Stainless Steel		Material		Data					
	Part No	ID Code	Body	Seals	Part No	ID Code	Body	Seals	W.P.	G	L	B	M	Weight
6	NDRV 1/8 NPT	2603516000	1	A	NDRV 1/8 NPT 316	2601516000	4	A	350	1/8" NPT	45	16	8	0,1
8	NDRV 1/4 NPT	2603516100	1	A	NDRV 1/4 NPT 316	2601516100	4	A	350	1/4" NPT	55	25	12,5	0,3
10	NDRV 3/8 NPT	2603516200	1	A	NDRV 3/8 NPT 316	2601516200	4	A	350	3/8" NPT	65	30	15	0,45
12	NDRV 1/2 NPT	2603516300	1	A	NDRV 1/2 NPT 316	2601516300	4	A	350	1/2" NPT	73	35	17,5	0,7
16	NDRV 3/4 NPT	2603516400	1	A	NDRV 3/4 NPT 316	2601516400	4	A	350	3/4" NPT	88	45	22,5	1,26
20	NDRV 1 NPT	2603516500	1	A	NDRV 1 NPT 316	2601516500	4	A	350	1" NPT	127	50	25	2,6
25	NDRV 1 1/4 NPT	2603516600	1	A	NDRV 1 1/4 NPT 316	2601516600	4	A	350	1.1/4" NPT	143	60	30	3,7
30	NDRV 1 1/2 NPT	2603516700	1	A	NDRV 1 1/2 NPT 316	2601516700	4	A	350	1.1/2" NPT	143	70	35	4,76
40	NDRV 2 NPT	2603516800	1	A	NDRV 2 NPT 316	2601516800	4	A	350	2" NPT	165	90	45	8,52

### NDRV with UNF

DN	Carbon steel		Material		Stainless Steel		Material		Data					
	Part No	ID Code	Body	Seals	Part No	ID Code	Body	Seals	W.P.	G	L	B	M	Weight
8	NDRV 7/16 UNF	2603518000	1	A	NDRV 7/16 UNF 316	2601518000	4	A	350	1/4" UNF	54,5	25	12,5	0,3
10	NDRV 9/16 UNF	2603518100	1	A	NDRV 9/16 UNF 316	2601518100	4	A	350	3/8" UNF	65	30	15	0,46
12	NDRV 3/4 UNF	2603518200	1	A	NDRV 3/4 UNF 316	2601518200	4	A	350	1/2" UNF	73	35	17,5	0,72
16	NDRV 1.1/16 UN	2603518300	1	A	NDRV 1.1/16 UN 316	2601518300	4	A	350	3/4" UNF	97,5	45	22,5	1,37
20	NDRV 1.5/16 UN	2603518400	1	A	NDRV 1.5/16 UN 316	2601518400	4	A	350	1" UNF	127,5	50	25	2,66
25	NDRV 1.5/8 UN	2603518500	1	A	NDRV 1.5/8 UN 316	2601518500	4	A	350	1.1/4" UNF	141,5	60	30	2,86
30	NDRV 1.7/8 UN	2603518600	1	A	NDRV 1.7/8 UN 316	2601518600	4	A	350	1.1/2" UNF	139,5	70	35	4,45
40	NDRV 2.1/2 UN	2603518700	1	A	NDRV 2.1/2 UN 316	2601518700	4	A	350	2" UNF	165	90	45	8,03

Contact GS-Hydro for other material combinations.